

# HIGH- PERFORMANCE BATTERY- POWERED PUMPS



**ENERPAC** 

▼ Shown: ZC3308J



## High-Performance Battery Power

**Z** Tough.  
Dependable.  
Innovative.  
**ZCLASS**

### Productivity, Performance, Safety

- High-flow cordless solution saves users time and money by eliminating the need for using a generator and extension cords
- Brushless 1.4 hp motor and 3 stage pump maximizes pump and tool productivity while minimizing heat buildup and downtime
- The Lithium-Ion battery provides superior run time, even under extreme job site conditions, running approximately 50 cycles on a RC1006 and approximately 90 cycles on a RC504 cylinder on a single charge
- Convenient 20 ft. pendant cord for hassle-free operation



#### Gauges

Minimize the risk of overloading and ensure long, dependable service from your equipment.



#### High-Pressure Hoses

Enerpac offers a complete line of high-quality hydraulic hoses. To ensure the integrity of your system, specify only genuine Enerpac hydraulic hoses.



#### Charger

ZC115VC	115V
ZC230VC	230V

#### Battery

ZC82V4NA	82V
ZC82V4EUAU	82V

\*NA is North America and EUAU is European and Australia

# Cordless Hydraulic Pump



## ZC-Series Cordless Hydraulic Pump

The Enerpac ZC-Series pump combines the performance of an electric pump with the convenience and portability of a battery pump. This quiet, cordless solution is ideal for applications where emission and noise are a concern, or when electricity or air is not readily available.

Power for the pump is supplied by a rechargeable 82V lithium-ion battery. The lithium-ion battery is capable of providing impressive run times, even under extreme job site conditions.

### Valve Options

- 4-way/3-position manual control valve used with double-acting cylinders
- 3-way/3-position manual control valve used with single-acting cylinders
- 4-way/3-position manual control valve with locking and power seat functions used in post tensioning concrete applications

### Applications

- High-flow cordless solution for industrial applications
- Foundation repair
- Rail industry
- Post-tensioning concrete

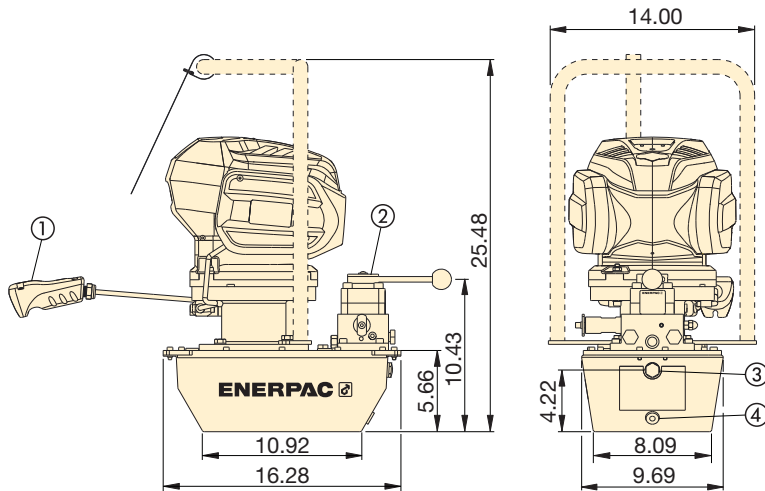
## ZC Series



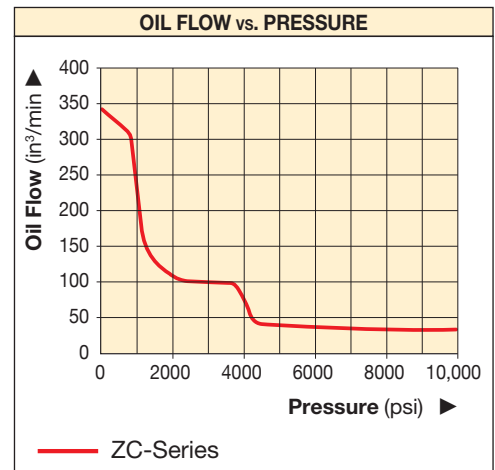
Reservoir Capacity:  
**1.75 gallon**

Flow at Rated Pressure:  
**32 in<sup>3</sup>/min.**

Maximum Operating Pressure:  
**10,000 psi**



- ① Motor On/Off Remote Pendant
- ② VM43-LPS Valve Shown
- ③ Sight Glass
- ④ Oil Drain 1/2" NPT



Used with	Useable Oil Capacity (gal)	Manual Valve Model Number	Valve Function	Model Number*	Output Flow Rate (in <sup>3</sup> /min)			Charger Voltage	Weight with Oil (lbs)
					@ no load	@ 4000 psi	@ 10,000 psi		
Single-Acting Cylinder	1.75	VM33	Advance/Neutral/Retract	ZC3308JB	310	80	32	115	65.5
				ZC3308JE				230	
Double-Acting Cylinder	1.75	VM43	Advance/Neutral/Retract	ZC3408JB	310	80	32	115	65.5
				ZC3408JE				230	
Power Seater Post-Tensioning Tools	1.75	VM43LPS	Advance/Hold/Retract	ZC3908JB	310	80	32	115	73.4
				ZC3908JE				230	

\*All models meet CE safety requirements and all TUV requirements.



# HIGH-PERFORMANCE BATTERY-POWERED PUMPS

Enerpac's portfolio of battery-powered hydraulic pumps is ideal for jobs that require a combination of portability, speed, and safety. These cordless pumps are perfect for remote locations without access to power, but also indoors where trip hazards, ergonomics or size is a concern.

XC1201M



ZC3308J



XC1502T\*



\*Pendant included, not pictured.

High Performance. **Cordless Convenience.**

Your Enerpac Distributor:

[www.enerpac.com](http://www.enerpac.com)

**Enerpac Worldwide Locations**  
 For a complete list of addresses see:  
[www.enerpac.com/en/enerpac-locations](http://www.enerpac.com/en/enerpac-locations)  
 User Inquiries: 800-433-2766  
 Distributor Inquiries: 800-558-0530

733\_03-030141818\_EN-US © 2018 Enerpac - Subject to change without notice.

**ENERPAC**   
 POWERFUL SOLUTIONS. GLOBAL FORCE.